

INVISIBLE SLOT BUNDLE

Recessed Mount Channel Bundle

The invisible channel is a premium solution for applications where modern and clean looks are a must. Simply install during the new construction drywalling phase to integrate the channel into its surroundings. Once complete you will be left with a stunning line of light that is seamlessly incorporated into the wall or substrate.

- Mounting channel for tape light
- Recessed channel best suited for drywall applications
- Maximum recommended wattage per foot of tape light < 9W/ft (30W/M)
- Create seamless lines of light that blends into existing substrates
- Frosted, UV & flame resistant lens protects light source while evenly diffusing light
- Lightweight anodized aluminum provides excellent heat dissipation
- Field cuttable channel and lens
- Compatible with 10-12mm wide tape light with HD connectors

Available Finishes

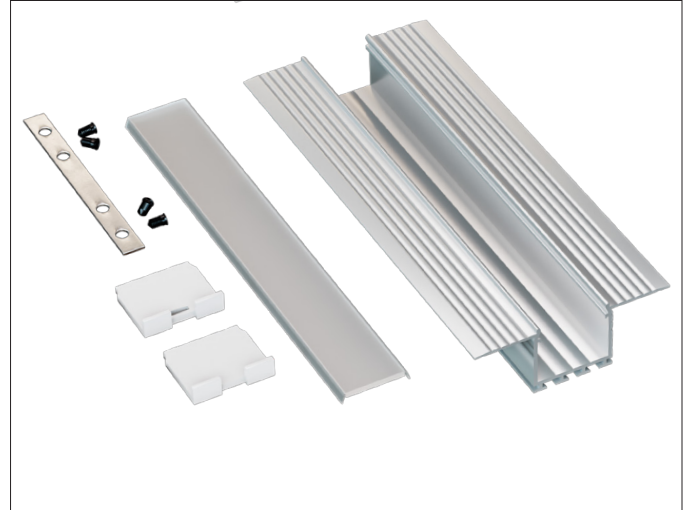


Aluminum

Compatible Tape Light

- Single Color (10mm) + HD Connectors
- Tunable CCT (10mm) + HD Connector
- RGBW / RGBTW (12mm) + HD Connector

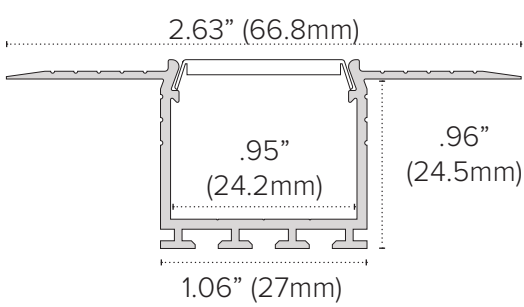
PROJECT:
TYPE:
LOCATION:
CATALOG NUMBER:



INVISIBLE SLOT BUNDLES ORDERING INFORMATION

ITEM NUMBER	DESCRIPTION
PE-INVSLLOT-2M-BNDL1	2M Invisible Slot Single Bundle Includes: (1) 2M Invisible Slot Channel, (1) 2M High Grade Diffusion Lens, (1) End Cap w/ Hole, (1) End Cap w/o Hole, (1) Extra Lens for Installation, (1) 180° Splicing Strip
PE-INVSLLOT-2M-BNDL5	2M Invisible Slot Five Unit Bundle Includes: (5) 2M Invisible Slot Channels, (5) 2M High Grade Diffusion Lenses, (5) End Caps w/ Hole, (5) End Caps w/o Hole, (5) Extra Lenses for Installation, (5) 180° Splicing Strip

INVISIBLE SLOT DIMENSIONS



Drywall Installation Example

