

Exit & Emergency

Emergence Series Wet-Location Combination Exit Sign/EM Unit

- Wet-Location LED Polycarbonate Combination Exit Sign / Emergency Unit
- White or Black Housing
- Field Selectable Red/Green Legend
- Field Selectable Single/Double Face
- Multiple Mounting Options
- Remote Capacity
- Self-Test/Self-Diagnostics

Specifications

Description

Halco's Wet-Location Combination Exit Sign/EM Unit Series offers a code compliant solution that was specifically designed for demanding environments. The field-selectable red/green legend, field-selectable single/double face, and universal end/wall mounting includes field-selectable chevron indicators as well as universal input voltage to provide a highly configurable combination exit sign/emergency unit. The EMG-WLEXC utilizes a fully gasketed lens and housing to perform well in wet location installations.

Electrical

- 120 / 277 VAC, 60Hz input
- Self-testing/self-diagnostics with battery charging indicator
- Long-life maintenance free LiFePO4 battery
- 24 hour recharge time
- -20°C - 50°C operating temperature
- 1.5 Watts of Remote Capacity

Certifications

- UL924 wet, cold location listed
- NFPA 101 and NFPA 70
- CEC T20 Compliant

EMERGENCE™ SERIES



Exit & Emergency

Emergence Series Wet-Location Combination Exit Sign/EM Unit

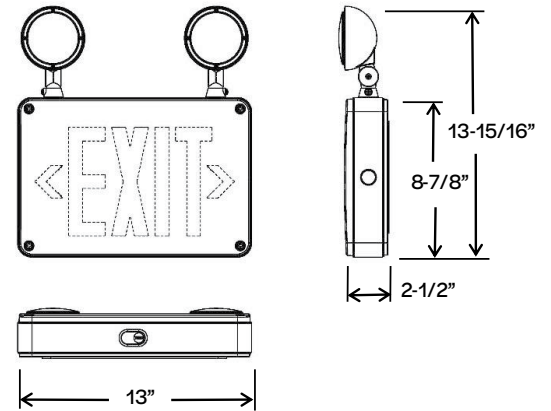
Ordering Information

Product SKU	Product Code	Product Description
97124	EMG-WLEXC-WH-RG	Emergence Series, Wet, Cold-Location, Combo, White Housing, Field-Selectable Red or Green Legend with Field-Selectable Single/Double Face, Self-Diagnostics, Remote Capacity
97125	EMG-WLEXC-BK-RG	Emergence Series, Wet, Cold-Location, Combo, Black Housing, Field-Selectable Red or Green Legend with Field-Selectable Single/Double Face, Self-Diagnostics, Remote Capacity
Remote Heads		
97012	EV2-RH-1-OUT-RD	Evade Single Remote Outdoor Round Head, White
97013	EV2-RH-2-OUT-RD	Evade Double Remote Outdoor Round Head, White
97118	EMG-RH-1-OUT-BK	Emergence Single Remote Outdoor Round Head, Black
97119	EMG-RH-2-OUT-BK	Emergence Double Remote Outdoor Round Head, Black

Specifications Table

	EMG-WLEXC-XX-RG
Housing	Injection-Molded Thermoplastic Housing, Polycarbonate Lens
Mounting	End or Wall - Canopy Included
Face	Field Selectable Single/Double Face
Lamp Heads	(2) .75W Each, Fully Rotatable
Lamp Heads Illumination	480 Lumens Total
Spacing	52' @ 7.5' on 6' Path of Egress
Legend	Uniformly Illuminated 6" Height, 3/4" Stroke
Chevrons	Field Selectable Snap-in/out
Letter Color	Selectable Red/Green
LED Life Expectancy	100,000 hours+
Input Voltage	120 or 277 VAC
Wattage	2.2W
Frequency	60Hz
Battery	Maintenance Free LiFePO4 Battery
Recharge Time	<24 Hours
Discharge	>90 minutes
Remote Capacity	1.5 Watts @ 6VDC
Testing Function	Self-Testing/Self-Diagnostics
Operating Temperature	-20°C to 50°C
Listings & Compliance	UL 924, CEC Title 20, NFPA 70 & NFPA 101
Environment	Wet Location Listed
Warranty*	5 Year

Dimensions



*All life safety equipment, including emergency lighting for path of egress must be maintained, serviced, and tested in accordance with all National Fire Protection Association (NFPA) and local codes. Failure to perform the required maintenance, service, or testing could jeopardize the safety of occupants and will void all warranties.

Exit & Emergency

Emergency Series Wet-Location Combination Exit Sign/EM Unit

Remote Head Specifications

Product SKU	Product Code	Input Voltage	Input Wattage	Lumens	Operating Temperature
97012	EV2-RH-1-OUT-RD	3-12VDC	.8W	75	-25°C-50°C
97013	EV2-RH-2-OUT-RD	3-12VDC	1.5W	150	-25°C-50°C
97118	EMG-RH-1-OUT-RD-BK	3-12VDC	.8W	75	-25°C-50°C
97119	EMG-RH-2-OUT-RD-BK	3-12VDC	1.5W	150	-25°C-50°C

Remote Head

EV2-RH-1-OUT-RD
EMG-RH-1-OUT-RD-BK

- Single, white or black, remote outdoor head
- Suitable for wet location. UL, cUL listed
- Compatible Halco Exits, EM Units and Combos with remote capacity



EV2-RH-2-OUT-RD
EMG-RH-2-OUT-RD-BK

- Double, white or black, remote outdoor heads
- Suitable for wet location. UL, cUL listed
- Compatible Halco Exits, EM Units and Combos with remote capacity



Dimensions

