

## Controls

# TruBlu™ Mesh Wireless Dual Tech Ceiling Occupancy Sensor

- Bluetooth® NLC Certified
- Dual Tech Sensor with Passive Infrared (PIR) & Ultrasonic Detection
- Supports occupancy or vacancy operation modes
- Surface Mount to Electrical Enclosure
- Features High and Low-End Trim Adjustment, Zoning & Continuous Dimming
- Suited for Mounting up to 12ft (3.7m)
- 12 to 24VDC Powered
- Conforms with DLC NLC5 Cybersecurity Standards



## Specifications

### Description

This sensor is a dual-technology ceiling-mounted wireless occupancy sensor that combines both passive infrared (PIR) and ultrasonic detection for enhanced motion sensing performance in challenging indoor environments. This Bluetooth® NLC Certified device connects to the TruBlu™ Mesh network, enabling wireless dimming, zoning, and control of luminaires through the TruBlu™ web portal or mobile app. Designed for easy surface mounting to standard electrical enclosures, it supports 12–24 VDC input and provides reliable operation for office, retail, and commercial lighting systems. Optional gateway integration adds energy monitoring and demand response capability.

### Key Features

- Bluetooth® NLC Certified for multi-vendor interoperability
- Mounts to standard electrical junction box or enclosure
- 12–24 VDC input voltage
- Mounting height up to 12 ft (3.7 m)
- PIR coverage area up to 1,600 ft<sup>2</sup> (150 m<sup>2</sup>)
- Ultrasonic coverage area up to 900 ft<sup>2</sup> (85 m<sup>2</sup>)
- Features high/low-end trim adjustment, zoning, and continuous dimming
- Operating temp: -22°F to 158°F (-30°C to 70°C); storage: -40°F to 176°F (-40°C to 80°C)
- 5-year warranty

### Operation

- Communicates via TruBlu™ Bluetooth® Mesh for wireless control of luminaires
- Configurable through the TruBlu™ mobile app or web portal
- Supports energy monitoring and demand response with optional TruBlu™ Gateway
- Operates from 12–24 VDC power pack or external supply
- Dual PIR and ultrasonic sensors ensure reliable detection in diverse indoor conditions
- Recommended for ceiling-mounted installations up to 12 ft high



Note:  
1. Bluetooth Range is highly dependent on the integration of fixtures, surrounding environment and conditions. It is recommended to conduct testing for range accuracy.

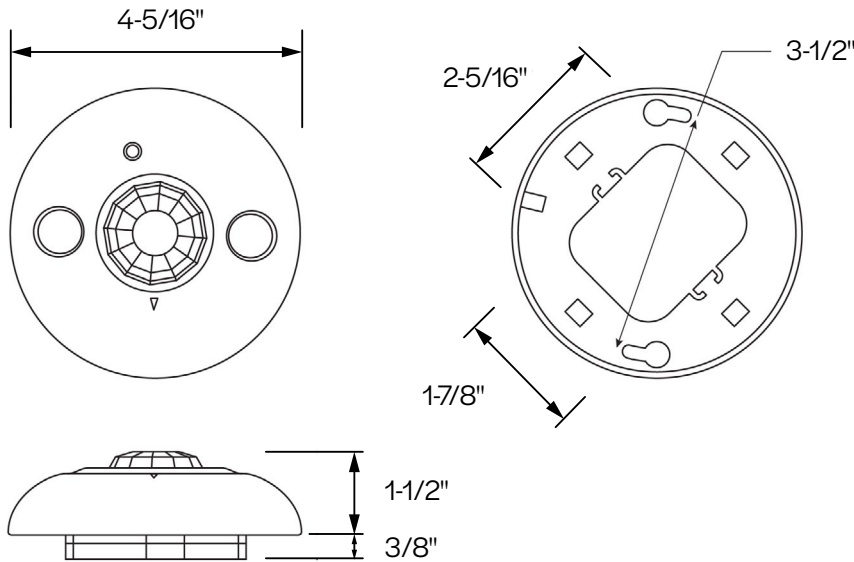
Controls

# TruBlu™ Mesh Wireless Dual Tech Ceiling Occupancy Sensor

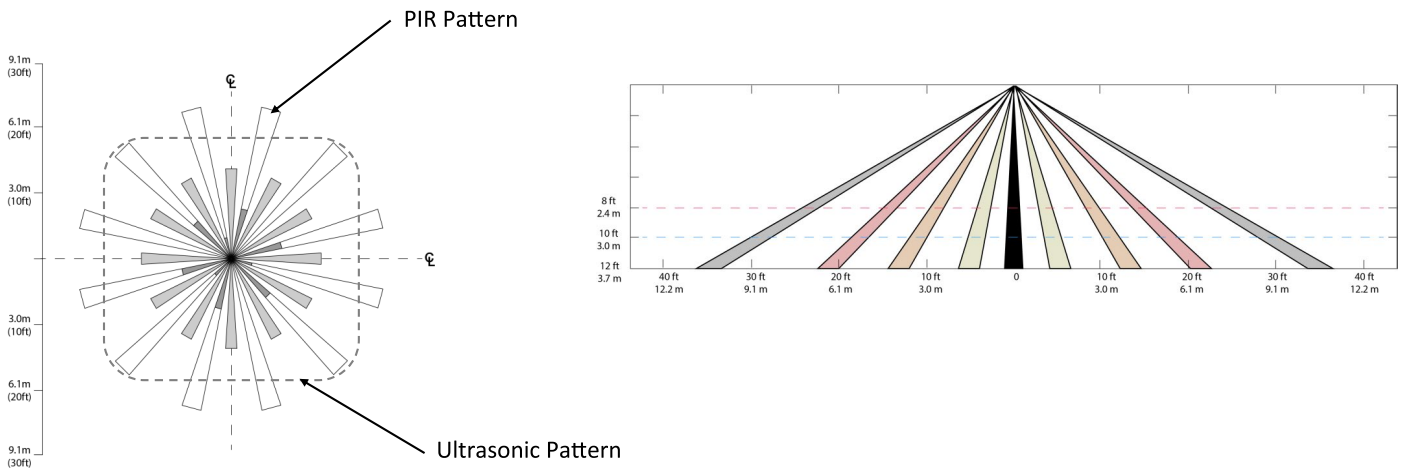
## Ordering Information

Product SKU	Product Code	Product Description
25432	PSC-BL-D-CM-DC-BLE-SR	TruBlu Mesh Wireless Dual Tech Ceiling occupancy sensor. Low voltage input 12-24VDC

## Dimensions



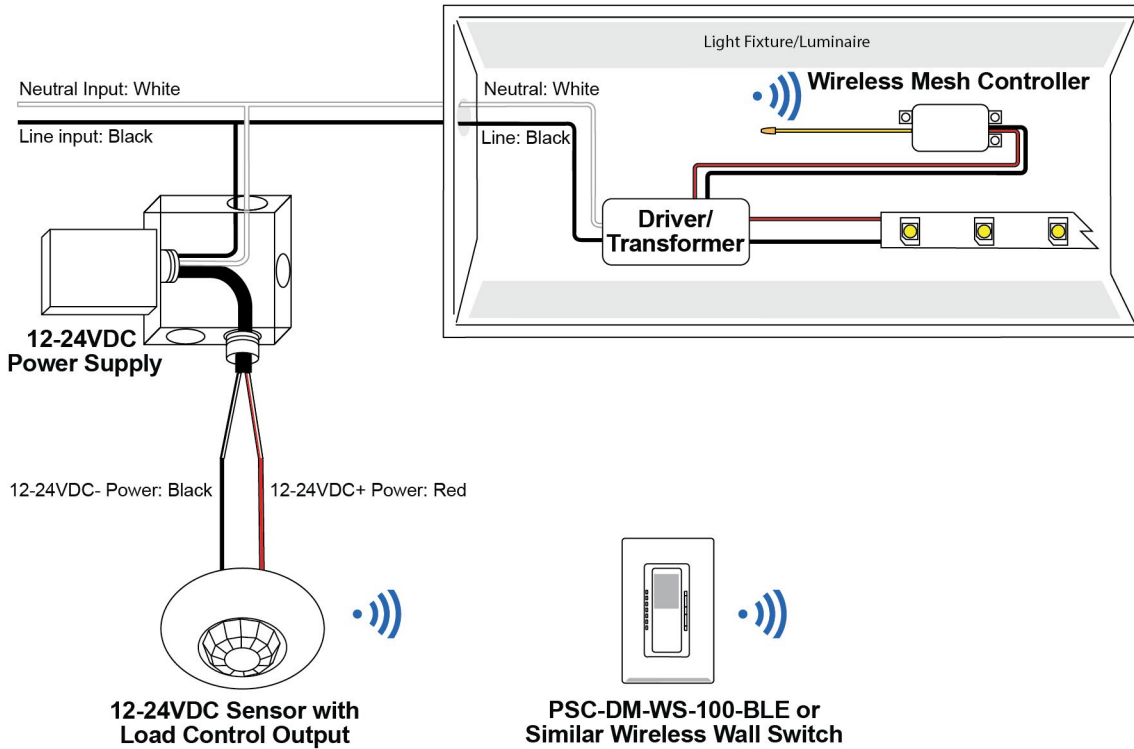
## Coverage Pattern



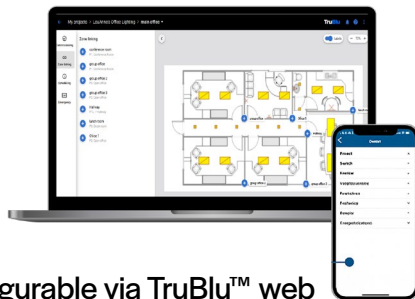
Controls

# TruBlu™ Mesh Wireless Dual Tech Ceiling Occupancy Sensor

## Wiring Diagram



## Commissioning App



Configurable via TruBlu™ web portal or iOS mobile app



Scan to Download the App for iOS Devices