



LOCATION		DATE
PREPARED BY		QUANTITY
COMMENTS		FIXTURE TYPE
CATALOG NUMBER		

## Tru LED Outdoor Sconce TRUW Series

### Features

Backlit provides wall wash illumination.  
Provides lighting in residential, commercial, and hospitality applications.  
Fixture mounts to standard junction box (not included).

### Construction

Durable metal construction with powder coat finish. Standard mounting holes and hardware are included. Power supply connections must be made inside a junction box (not included).

### Finish

Black finish.

### Diffuser

White acrylic diffuser.

### Electrical

Input 120-277 VAC 60 HZ.  
Compatible with residential (TRIAC/ELV) and commercial (0-10V) dimmers.  
TRIAC and ELV dimming only at 120 VAC.  
Minimum starting temp -4° F / -20°C

### Lamping

Fixture includes a LED modules capable of producing:  
17W = 640 delivered lumens  
25W = 1340 delivered lumens  
34W = 1990 delivered lumens  
Adjustable Choice 2700K, 3000K, 3500K, 4000K, 5000K (CCT).  
Rated for 50,000 Hrs., 90 CRI.

### Certification

All fixtures are cETLus listed for wet locations.  
ADA Compliant  
Title 24/JA8 Compliant

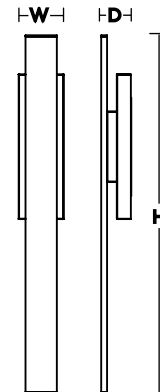
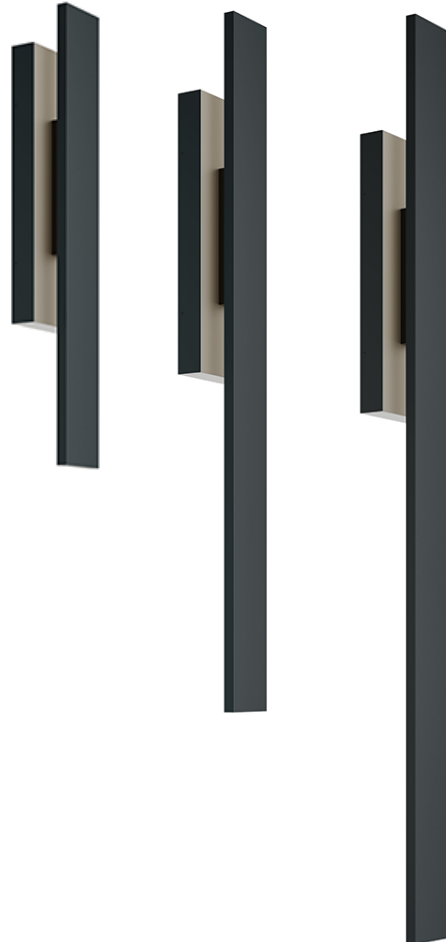
### Warranty

Limited warranty: This fixture is free from defects in materials and workmanship for a period of 5 years from date of purchase.

**Specifications and dimensions**  
subject to change without notice.

### Ordering Information:

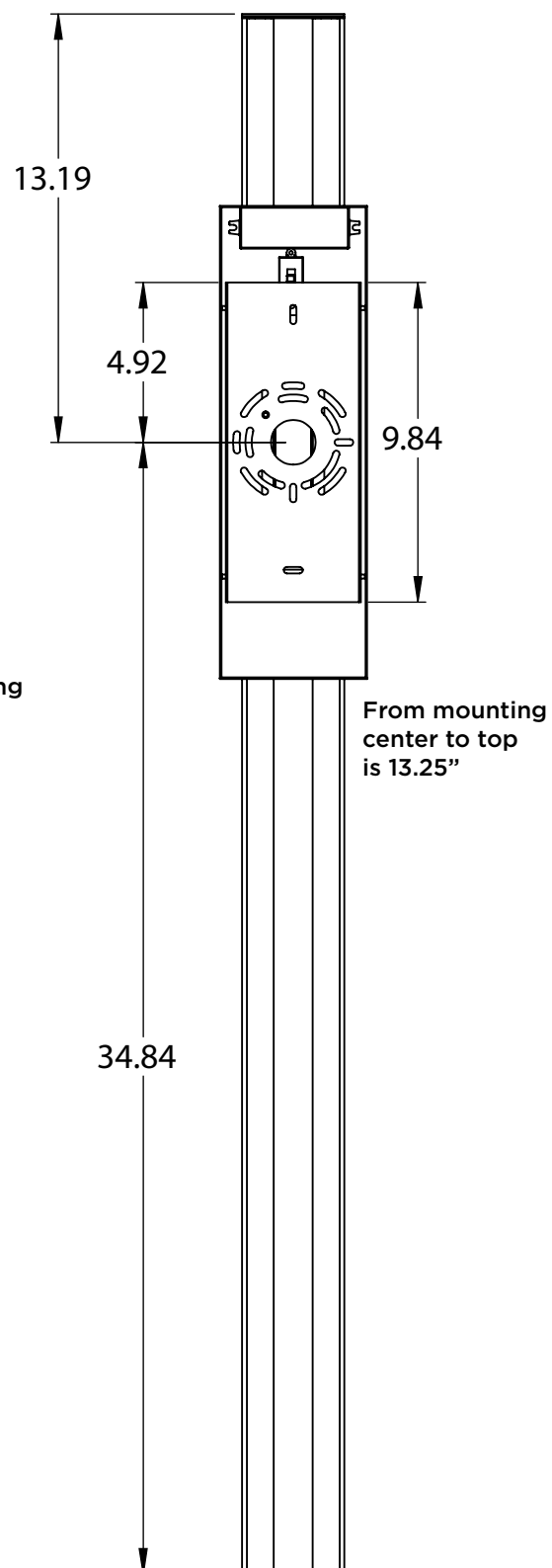
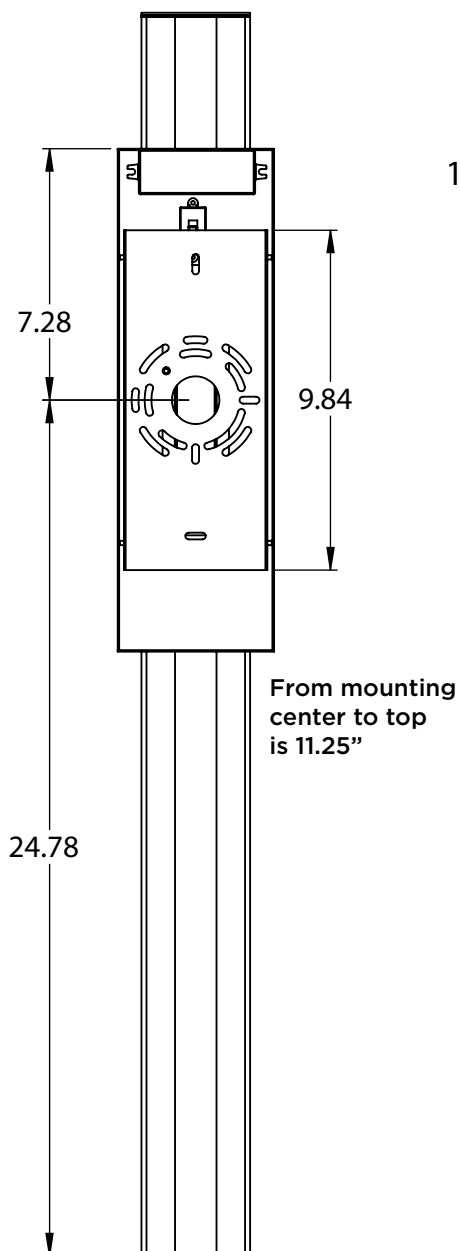
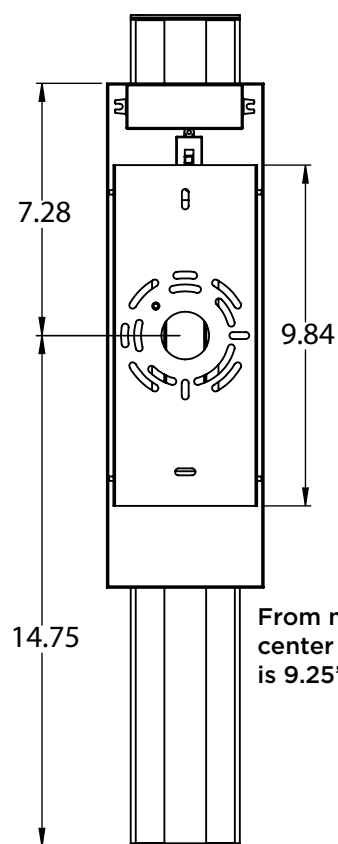
Black	LED	Delivered Lumens	Adjustable CCT	H	W	D
TRUW0524LAJUBK	17W	640	2700K/3000K/3500K/4000K/5000K	24"	4-1/2"	3"
TRUW0536LAJUBK	25W	1340	2700K/3000K/3500K/4000K/5000K	36"	4-1/2"	3"
TRUW0548LAJUBK	34W	1990	2700K/3000K/3500K/4000K/5000K	48"	4-1/2"	3"



Additional drawings on Page 2.



**Tru LED Outdoor Sconce  
TRUW Series**



**Mounting plate size  
4.5" H x 14.5" W x 1.4" D**