

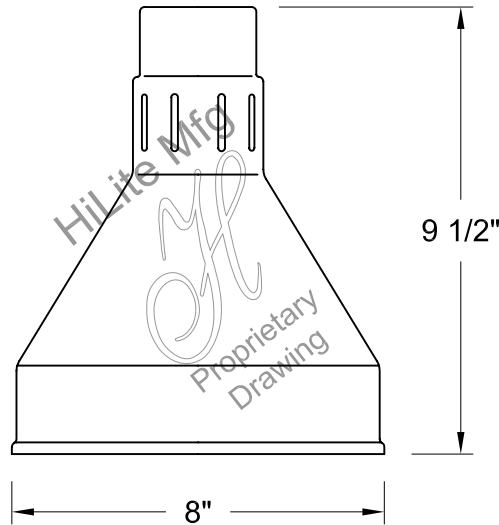


HI-LITE MFG. CO., INC

13450 Monte Vista Avenue
Chino, California 91710
Telephone: (909) 465-1999
Toll Free: (800) 465-0211
Fax: (909) 465-0907
web: www.hilitemfg.com
e-mail: sales@hilitemfg.com

H-675 Food Warmers, Heat Lamps and Commercial Cooking Appliances

Job Name: _____
Type: _____
Quantity: _____



FINISH -Multi-stage pretreatment procedure using materials of polyester/polished powder coat, baking enamel liquid, raw metals, and galvanized finishes.

Standard Finishes are: 91(Black), 93(White), 95(Dark Green), 96(Galvanized), BR47(Powder Coat Rust), BK01(Black Texture) and GN20(Powder Coat Patina).
Upgraded Finishes are: 29, 92, 94, 97, 99, 100, 103, 104, 113, 114, 115, 118, 119, 127, 98, 101, 102, 137, 01, 22, 25, 77, 89, 24, 44, 49, 55, 138, 139, 140.

For interior finish of fixture refer to color chart on pages 344-348.

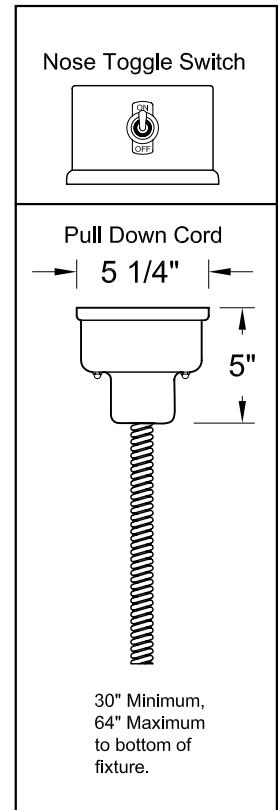
REFLECTOR - Heavy duty, spun shade, aluminum 6061-0 and/or 1100-0, galvanized 22 gauge, copper 032/040 and brass 032/040 construction. Dependant on finish.

SOCKETS/LAMPS - Available in:
Incandescent
- rated 250 or 375 watt max/120 volt, medium base.

MOUNTING - Cord and Stem Mount.

ACCESSORIES - SL(Swivel), NTS(Nose Toggle Switch), PDC(Pull Down Cord) and CTS(Canopy Toggle Switch) available.

WARNING: For 250W bulbs, do not install closer than 3" from wall or ceiling, 16" from counter top or surface. Do not operate steamers without cook pans in place. For 375W bulbs, do not install closer than 3" from wall or ceiling, 19" from counter top or surface. Do not operate steamers without cook pans in place.



MADE IN THE U.S.A.

