



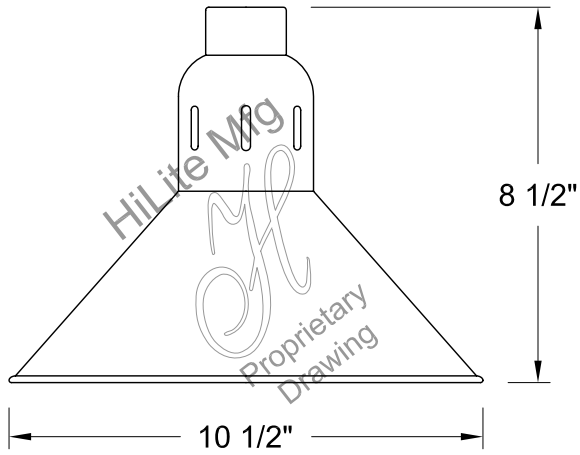
**HI-LITE MFG.  
CO., INC**

13450 Monte Vista Avenue  
Chino, California 91710  
Telephone: (909) 465-1999  
Toll Free: (800) 465-0211  
Fax: (909) 465-0907  
web: www.hilitemfg.com  
e-mail: sales@hilitemfg.com

# H-800

## Food Warmers, Heat Lamps and Commercial Cooking Appliances

Job Name: \_\_\_\_\_  
Type: \_\_\_\_\_  
Quantity: \_\_\_\_\_



**FINISH** -Multi-stage pretreatment procedure using materials of polyester/polished powder coat, baking enamel liquid, raw metals, and galvanized finishes.

Standard Finishes are: 91(Black), 93(White), 95(Dark Green), 96(Galvanized), BR47(Powder Coat Rust), BK01(Black Texture) and GN20(Powder Coat Patina).

Upgraded Finishes are: 29, 92, 94, 97, 99, 100, 103, 104, 113, 114, 115, 118, 119, 127, 98, 101, 102, 137, 01, 22, 25, 77, 89, 24, 44, 49, 55, 138, 139, 140.

For interior finish of fixture refer to color chart on pages 344-348.

**REFLECTOR** - Heavy duty, spun shade, aluminum 6061-0 and/or 1100-0, galvanized 22 gauge, copper 032/040 and brass 032/040 construction. Dependant on finish.

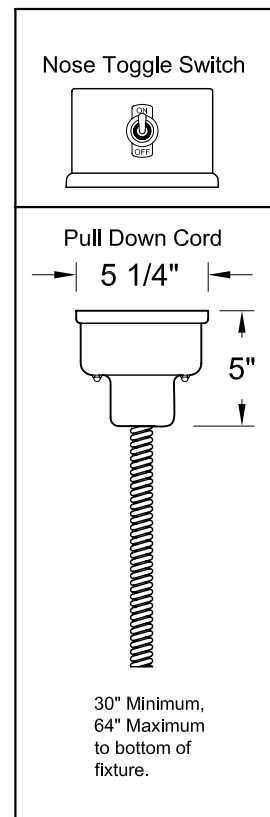
**SOCKETS/LAMPS** - Available in:

- Incandescent
- rated 250 watt max/120 volt, medium base.

**MOUNTING** - Cord and Stem Mount.

**ACCESSORIES** - SL(Swivel), NTS(Nose Toggle Switch), PDC(Pull Down Cord) and CTS(Canopy Toggle Switch) available.

**WARNING:** For 250W bulbs, do not install closer than 3" from wall or ceiling, 16" from counter top or surface. Do not operate steamers without cook pans in place. For 375W bulbs, do not install closer than 3" from wall or ceiling, 19" from counter top or surface. Do not operate steamers without cook pans in place.



**MADE IN THE U.S.A.**

